

Incredible **75,000** hrs

### GENERAL DESCRIPTION

Neptun's Swiss Line LED flood light fixtures feature architectural design and durability to fit new construction and retrofit applications. The LED-SW23 series fixtures feature high output LED's and custom engineered optics to provide excellent uniformity and efficiency. Neptun's LED flood fixtures are offered in 20W or 30W to replace up to 100W HID and HPS Systems.

### APPLICATION

- Building Accent Lighting
- Landscape Lighting
- Security Lighting
- Sign Lighting
- Spot Lighting
- Area Lighting

### STRUCTURE, MATERIALS, & FEATURES

- Heavy-gauge, die-cast aluminum housing.
- Corrosion resistant electrocoat bronze finish (custom colors available).
- High efficiency, heat and impact resistant glass lens.
- Continuous silicone gasketing surrounds lens for weather - tight seal.
- Correlated Color Temperature of (5000°K) for greater visibility and safety.
- 1/2" Adjustable NPT mounting arm included.
- High Output Cree LED's.
- High power factor, low THD driver with 10kV Surge Protection.
- InstantON flicker-free Cold Start and Hot Re-Start.
- Up to 15 years Maintenance free operation.
- 5 Year Warranty on complete fixture. (LED's, Driver, & Housing)

### ORDERING INFORMATION

Sample Number: LED-SW23020-UNV-850-BRZ  
Custom options and accessories available. Please consult factory

| Series                 | Wattage                  | Voltage           | Color Temp   | Accessories  | Color                                       |
|------------------------|--------------------------|-------------------|--|--|---|
| LED-SW23 = Flood Light | 020 = 20 W<br>030 = 30 W | UNV = 120-277 VAC | 835 = 3500°K<br>841 = 4100°K<br>850 = 5000°K *<br>* Standard | LD-120V = Photocell 120VAC<br>LD-277V = Photocell 277VAC | BRZ = Bronze ■<br>* Custom Colors Available |



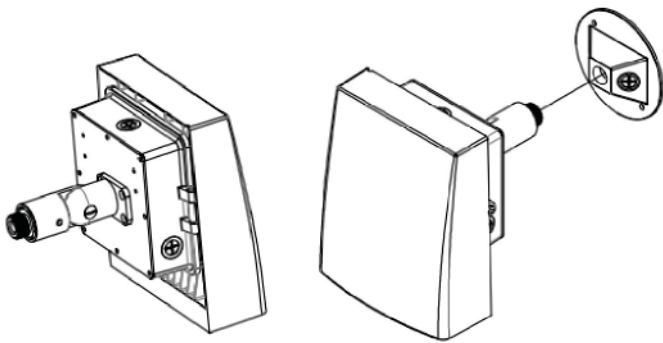
## PRODUCT INFORMATION

| Model No.       | Description            | Rated Watts | Input Watts | Initial Lumens | Universal Line Voltage (VAC) | Max Line Current (Amp) @ 120 - 277 | THD  | Power Factor | Weight |
|-----------------|------------------------|-------------|-------------|----------------|------------------------------|------------------------------------|------|--------------|--------|
| LED-SW23020-UNV | Flood Light - 1/2" NPT | 20          | 22          | 1,850          | 120-277                      | 0.17 - 0.07                        | <20% | >0.90        | 4 lbs  |
| LED-SW23030-UNV | Flood Light - 1/2" NPT | 30          | 32          | 2,600          | 120-277                      | 0.26 - 0.11                        | <20% | >0.90        | 4 lbs  |

## SPECIFICATIONS

- Driver ..... Constant Current
- Start Method ..... InstantON
- Hot Re-start ..... InstantON
- Power Supply ..... 350mA
- Driver UL Rating ..... Class 1
- Driver UL Outdoor Rated ..... Wet Location
- Sound Rating ..... Class A
- ANSI Surge Protection ..... IEEE C62.41 C High
- Driver Off-State Draw ..... 0 Watts
- Universal Input Line Voltage ..... 120-277 VAC
- Input Line Frequency ..... 50/60 Hz
- LED / Driver System Life ..... 75,000 Hrs.
- Lumen Maintenance @50,000Hrs ..... > 70%
- Color Temperature ..... 5,000°K
- Color Rendering Index (CRI) ..... > 80
- Beam Angle ..... 95°
- Minimum Starting Temperature ..... -40°C
- Maximum Starting Temperature ..... +50°C
- Lumens per Watt ..... > 70
- Shock / Vibration Resistant ..... Yes
- Power Factor ..... > 0.90
- Total Harmonic Distortion ..... < 20%
- Inrush Current Peak ..... < 10 Amp
- FCC Compliance ..... Part 15, Subp. C
- Optics IP Rating ..... IP68
- Driver IP Rating ..... IP67
- Warranty ..... 5 Year

## MOUNTING OPTIONS



1/2" NPT Mount

## PACKAGING DIMENSIONS

| MODEL NO.       | BOX DIMENSIONS                 | WEIGHT    |
|-----------------|--------------------------------|-----------|
| LED-SW23020-UNV | 8.50"(l) x 7.50"(w) x 9.50"(h) | 4.55 lbs. |
| LED-SW23030-UNV | 8.50"(l) x 7.50"(w) x 9.50"(h) | 4.55 lbs. |