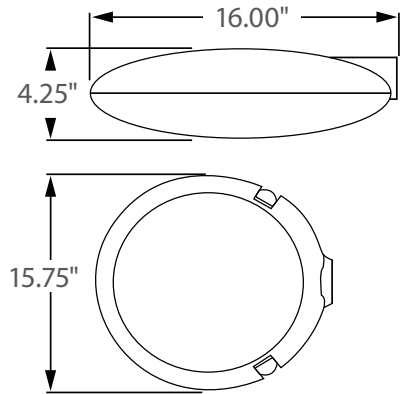




**\*\* AVAILABLE \*\***

Bi-Level Dimming  
100% 50%

0 - 10V  
FULL DIMMING



Incredible **75,000 hrs**

## GENERAL DESCRIPTION

Neptun's LED parking lot fixtures combine architectural form and versatility to make it an excellent choice for new construction or retrofit applications. The LED-472 series fixture is offered in a variety of wattages to provide maximum flexibility in all types of applications. The high output LED's and custom engineered optics provide excellent uniformity and efficiency. It can replace existing HID & HPS fixtures up to 175W

## APPLICATION

- Parking Lot Lighting
- Street Lighting
- Walkway Lighting
- Area Lighting
- Security Lighting
- Storage Area Lighting

## STRUCTURE, MATERIALS, & FEATURES

- Heavy-gauge, die-cast aluminum housing.
- Heat and impact resistant sealed glass lens around optics.
- Integral structural support plate for mounting arm ensures strength.
- 1-3/4" I.D. Slip Fitter Accepts up to 1-1/2" Pipe or Tenon.
- Corrosion resistant electrocoat bronze finish (custom colors available).
- Hinged aluminum door frame incorporates stainless steel hardware.
- Wall mount and pole mount brackets available.
- High Output COB LED's.
- Driver with built in Neptun Surge Protective Device (NSPD) provides single phase protection for Line/Neutral, Line/Ground, and Neutral/Ground in accordance with IEEE C62.41 C High (10kV & 10kA).
- InstantON flicker-free Cold Start and Hot Re-Start.
- Up to 15 years Maintenance free operation.
- 5 Year Warranty on complete fixture. (LED's, Driver, & Housing)
- **Optional:** Bi-Level Dimming, Remote Monitoring and ON/ OFF Control, DC 24V Operation - Solar Compatible

## ORDERING INFORMATION

Sample Number: LED-472040-UNV-0-10VDIM-850-T3-GRY  
Custom options and accessories available. Please consult factory

Series	Wattage	Voltage	Options	Color Temp	Accessories	Optics	Color
<b>LED-472</b> = Area Fixture	<b>040</b> = 40 W <b>060</b> = 60 W <b>080</b> = 80 W	<b>UNV</b> = 120-277 VAC <b>347V</b> = 347VAC <b>480V</b> = 480VAC <b>24VDC</b> = 24VDC	<b>0-10VDIM</b> = 0-10V Dimming <b>BL-DIM</b> = Bi-Level Dimming * * Includes Pole Mounted Motion Sensor ** Contact factory for dimming options	<b>835</b> = 3500°K <b>841</b> = 4100°K <b>850</b> = 5000°K * * Standard	<b>MDP</b> = Pole Mounted Motion Sensor	<b>T3</b> = Type 3 <b>T5</b> = Type 5	<b>BRZ</b> = Bronze <span style="display:inline-block; width:10px; height:10px; background-color: #444;"></span> * Custom Colors Available



### PRODUCT INFORMATION

Model No.	Description	Rated Watts	Input Watts	Initial Lumens	Universal Line Voltage (VAC)	Max Line Current (Amp) @ 120 - 277	THD	Power Factor	Weight
LED-472040-UNV	LED Area Fixture	40	41	3,800	120-277	0.34 - 0.15	<20%	>0.90	20 lbs
LED-472060-UNV	LED Area Fixture	60	61	5,700	120-277	0.52 - 0.22	<20%	>0.90	20 lbs
LED-472080-UNV	LED Area Fixture	80	81	7,600	120-277	0.69 - 0.30	<20%	>0.90	20 lbs

### SPECIFICATIONS

- Driver ..... Constant Current
- Start Method ..... InstantON
- Hot Re-start ..... InstantON
- Power Supply ..... 350mA
- Driver UL Rating ..... Class 1
- Driver UL Outdoor Rated ..... Wet Location
- Sound Rating ..... Class A
- ANSI Surge Protection ..... IEEE C62.41 C High
- Current Crest Factor ..... 1.5 maximum
- Load Regulation: 5% output current variation across load range
- Line Regulation: 1% output voltage variation across voltage range
- Driver Off-State Draw ..... 0 Watts
- Vibration Compliance ..... 3G
- Universal Input Line Voltage ..... 120-277 VAC
- Input Line Frequency ..... 50/60 Hz
- LED / Driver System Life ..... 75,000 Hrs.
- Lumen Maintenance @50,000Hrs ..... > 70%
- Color Temperature ..... 5,000°K
- Color Rendering Index (CRI) ..... > 80
- Minimum Starting Temperature ..... -40°C
- Maximum Starting Temperature ..... +50°C
- Lumens per Watt ..... > 90
- Shock / Vibration Resistant ..... Yes
- Power Factor ..... > 0.90
- Total Harmonic Distortion ..... < 20%
- Inrush Current Peak ..... < 10 Amp
- FCC Compliance ..... Part 15, Subp. C
- EPA Rating ..... 0.46 ft.<sup>2</sup>
- Driver IP Rating ..... IP67
- Optics IP Rating ..... IP68
- Warranty ..... 5 Year

### MOUNTING OPTIONS



1-3/4" I.D.  
Accepts 1-1/4" - 1-1/2" O.D.  
Tenon or Pipe (standard)

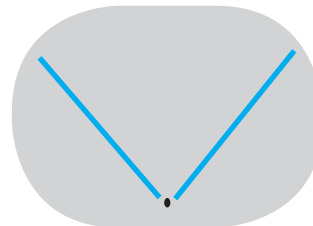


Wall Mount Bracket  
WMB (sold separately)

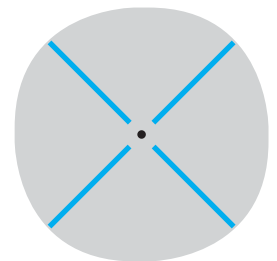


Square Pole Adapter  
SPA (sold separately)

### PHOTOMETRICS (See Complete IES File)



Type 3 Distribution



Type 5 Distribution