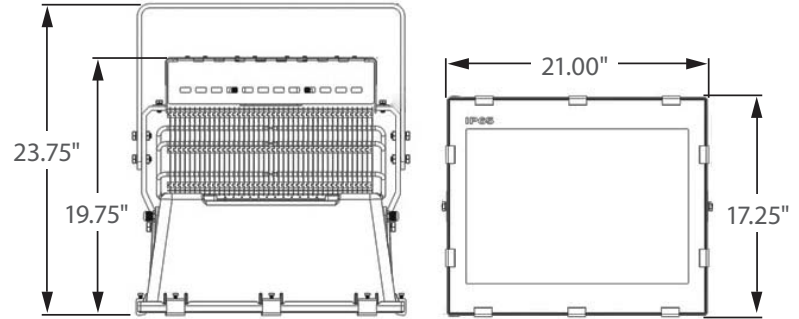


### REPLACEMENT FOR 2000W HID



Incredible **75,000 hrs**

### GENERAL DESCRIPTION

Neptun's LED Sports Lighter fixture features an architectural design and durability to be used in new construction or retrofit applications. The LED-SL61 series fixture features excellent optics and its rugged design allows for use in a variety of indoor and outdoor applications. It can replace existing HID & HPS fixtures up to 2000 Watts.

### APPLICATION

- Sports Field Lighting
- Sports Arena Lighting
- Gymnasium Lighting
- High-Mast Lighting
- Yard Lighting
- Area & Storage Lighting

### STRUCTURE, MATERIALS, & FEATURES

- Heavy-gauge, die-cast aluminum housing with cooling fins.
- Heat and impact resistant tempered glass lens with anti-glare diffuser.
- Continuous silicone gasket surrounds lens for IP65 weather - tight seal.
- Instant-On flicker-free Cold Start and Hot Re-Start.
- Bright white light (5000°K) for greater visibility and safety.
- LED engine design with Advanced Thermal Management.
- High power factor, low THD driver with 10kV Surge Protection.
- High Output LED's.
- Up to 15 year maintenance free operation.
- 5 Year Warranty on complete fixture. (LED's, Driver, & Housing)
- **Optional:** 0-10V Dimming, Wi-Fi Control, Remote Monitoring and ON/ OFF Control

### ORDERING INFORMATION

Sample Number: LED-SL61-1000-UNV-0-10VDIM-850-B10-90-LD  
Custom options and accessories available. Please consult factory

Series	Wattage	Voltage	Options	Color Temp	Beam Angle	Accessories
LED-SL61 = Sports Lighter	1000 = 1000W	UNV = 120-277 VAC 347V = 347 VAC 480V = 480 VAC	0-10VDIM = 0-10V Dimming * Contact Factory for dimming options.	835 = 3500°K 841 = 4100°K 850 = 5000°K * * Standard	B10-90 = 10 x 90° B50-90 = 50 x 90°	LD = Twist-Lock Photocell C3* = 3' Cord-No Plug (other lengths available by specifying cord length C6 = 6' cord) PC3 = 3' Cord with NEMA Plug (verify plug type when ordering) * Standard



### PRODUCT INFORMATION

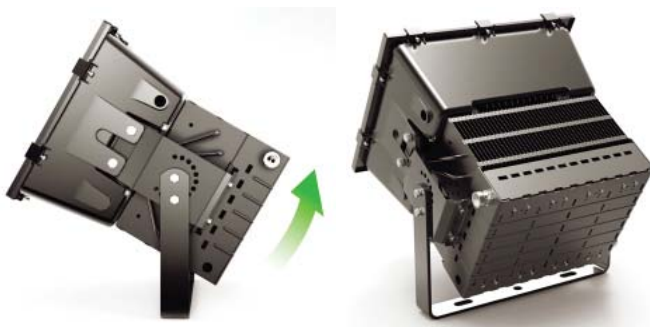
Model No.	Description	Rated Watts	Input Watts	Initial Lumens	Universal Line Voltage (VAC)	Max Line Current (Amp) @ 120 - 277	THD	Power Factor	Weight
LED-SL61-1000-UNV	LED Sports Lighter	1000	1005	90,000	120-277	8.74 - 3.79	<20%	>0.90	60 lbs

### SPECIFICATIONS

- Driver ..... Constant Current
- Start Method ..... InstantON
- Hot Re-start ..... InstantON
- Power Supply ..... 350mA
- Driver UL Rating ..... Class 1
- Driver UL Outdoor Rated ..... Wet Location
- Sound Rating ..... Class A
- ANSI Surge Protection ..... IEEE C62.41 C High
- Driver Off-State Draw ..... 0 Watts
- Universal Input Line Voltage ..... 120-277 VAC
- Input Line Frequency ..... 50/60 Hz
- LED / Driver System Life ..... 75,000 Hrs.
- Lumen Maintenance @50,000Hrs ..... > 70%
- Color Temperature ..... 5,000°K
- Color Rendering Index (CRI) ..... > 80
- Beam Angle ..... 10/90° / 50/90°
- Minimum Starting Temperature ..... -40°C
- Maximum Starting Temperature ..... +50°C
- Lumens per Watt ..... > 90
- Shock / Vibration Resistant ..... Yes
- Power Factor ..... > 0.90
- Total Harmonic Distortion ..... < 20%
- Inrush Current Peak ..... < 10 Amp
- FCC Compliance ..... Part 15, Subp. C
- Housing IP Rating ..... IP65
- Driver IP Rating ..... IP67
- Warranty ..... 5 Year

### MOUNTING OPTIONS

#### ADJUSTABLE YOKE BRACKET



240° Adjustable Tilt

### PHOTOMETRICS (See Complete IES File)

