

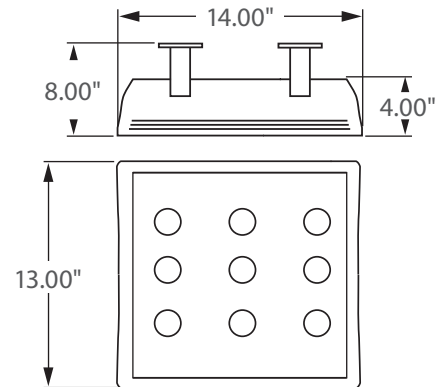


OUTDOOR RATED  
**IP66**

\*\* AVAILABLE \*\*

Bi-Level Dimming  
100% 50%

0 - 10V  
FULL DIMMING



Please check latest update for complete information.  
[http://www.designlights.org/solidstate.about.QualifiedProductsList\\_Publicv2.php](http://www.designlights.org/solidstate.about.QualifiedProductsList_Publicv2.php)

## Incredible 75,000 hrs

### GENERAL DESCRIPTION

Neptun's low-profile LED fixtures feature a sleek architectural design and durability to be used in new construction or retrofit applications. The LED-49 series fixture features excellent optics and its rugged design allows for use in a variety of indoor and outdoor applications. It can replace existing HID & HPS fixtures up to 150 Watts.

### APPLICATION

- Indoor Low-Bay Lighting
- Parking Garage Lighting
- Canopy Lighting
- Freezer Lighting
- Storage Lighting
- Security Lighting
- Area Lighting
- Tunnel Lighting

### STRUCTURE, MATERIALS, & FEATURES

- Heavy-gauge, die-cast aluminum housing with cooling fins.
- Heat and impact resistant tempered glass lens with anti-glare diffuser.
- Corrosion resistant electrocoat dark grey finish (custom colors available).
- Continuous silicone gasket surrounds lens for weather - tight seal.
- Various mounting options available.
- High Output COB LED's.
- High power factor, low THD driver with 10kV Surge Protection.
- High performance Thermal Management system.
- Instant-On flicker-free Cold Start and Hot Re-Start.
- Bright white light (5000°K) for greater visibility and safety.
- Up to 15 year maintenance free operation.
- 5 Year Warranty on complete fixture. (LED's, Driver, & Housing)
- Optional:** Bi-Level Dimming, 0-10V Dimming, Wi-Fi Control, Remote Monitoring and ON/ OFF Control

### ORDERING INFORMATION

Sample Number: LED-49040-14-UNV-0-10VDIM-750-MD-PDM-C3  
Custom options and accessories available. Please consult factory

Series	Wattage	Voltage	Options	CCT	Accessories	Options
LED-49 = Low-Profile	040-14 = 40 W 055-14 = 55 W 070-14 = 70 W	UNV = 120-277 VAC 347V = 347 VAC 480V = 480 VAC 24VDC = 24V DC	0-10VDIM = 0-10V Dimming BL-DIM = Bi-Level Dimming * * Includes Motion Sensor ** Contact Factory for dimming options	735 = 3500°K 741 = 4100°K 750 = 5000°K * * Standard	MD = Motion Sensor ON/OFF DLH = Day Light Harvesting* GPPL = Gripple Hangers PDM = Pendant Mount * Used with 0-10V Dimming **See pg. 2 for mounting	C3* = 3' Cord-No Plug (other lengths available C6 = 6' cord) PC3 = 3' Cord with NEMA Plug (verify plug type when ordering) * Standard



## PRODUCT INFORMATION

Model No.	Description	Rated Watts	Input Watts	Initial Lumens	Universal Line Voltage (VAC)	Max Line Current (Amp) @ 120 - 277	THD	Power Factor	Weight
LED-49040-14-UNV	Low Profile LED Fixture	40	41	4,160	120-277	0.34 - 0.15	<20%	>0.90	25 lbs
LED-49055-14-UNV	Low Profile LED Fixture	55	57	5,060	120-277	0.48 - 0.20	<20%	>0.90	25 lbs
LED-49070-14-UNV	Low Profile LED Fixture	70	72	6,300	120-277	0.61 - 0.26	<20%	>0.90	25 lbs

## SPECIFICATIONS

- Driver ..... Constant Current
- Start Method ..... InstantON
- Hot Re-start ..... InstantON
- Power Supply ..... 350mA
- Driver UL Rating ..... Class 1
- Driver UL Outdoor Rated ..... Wet Location
- Sound Rating ..... Class A
- ANSI Surge Protection ..... IEEE C62.41 C High
- Driver Off-State Draw ..... 0 Watts
- Universal Input Line Voltage ..... 120-277 VAC
- Input Line Frequency ..... 50/60 Hz
- LED / Driver System Life ..... 75,000 Hrs.
- Lumen Maintenance @50,000Hrs ..... > 70%
- Color Temperature ..... 5,000°K
- Color Rendering Index (CRI) ..... > 80
- Minimum Starting Temperature ..... -40°C
- Maximum Starting Temperature ..... +50°C
- Lumens per Watt ..... > 85
- Shock / Vibration Resistant ..... ANSI-C136.31.
- Power Factor ..... > 0.90
- Total Harmonic Distortion ..... < 20%
- Inrush Current Peak ..... < 10 Amp
- FCC Compliance ..... Part 15, Subp. C
- ETL Listed / UL Standard 1598 ..... Yes
- Housing IP Rating ..... IP66
- Driver IP Rating ..... IP67
- Warranty ..... 5 Year

## MOUNTING OPTIONS

Surface Mount



Adjustable Mounting Brackets (Standard)

Hanging Mount

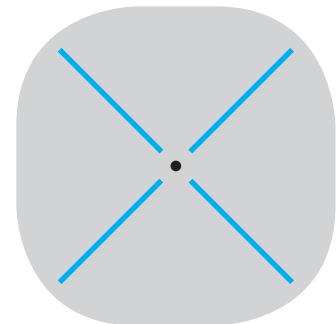


Supplied with Gripple Hangers (GPPL)



Pendant Mount  
3/4" K.O. (PDM)  
Pendant Not Included

## PHOTOMETRICS (See Complete IES File)



Type V Distribution