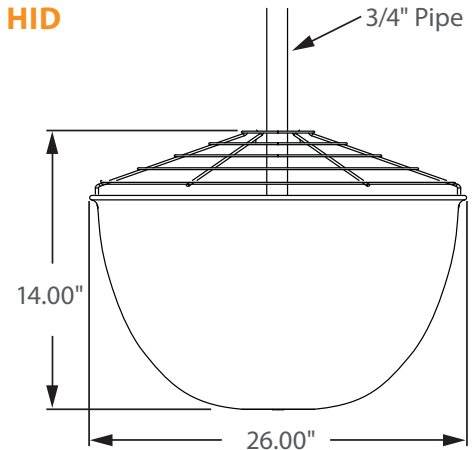


REPLACEMENT FOR 1000W HID



\*\* AVAILABLE \*\*

0 - 10V  
FULL DIMMING



Incredible **75,000** hrs

### GENERAL DESCRIPTION

Neptun's High Power LED Indirect pendant mount fixtures combine architectural form and versatility to make it an excellent choice for new construction or retrofit applications. The COB lensed optics designs provides uniform, indirect illumination without glare or hot spots. It can replace existing HID & HPS fixtures up to 1000W.

### APPLICATION

- Tennis Court Lighting
- Athletic Facility Lighting
- Pool Lighting
- Factory Lighting
- Convention Center Lighting
- Retail Lighting

### STRUCTURE, MATERIALS, & FEATURES

- Die cast aluminum housing with internal finned construction.
- Corrosion resistant electrocoat white finish (custom colors available).
- Angled wire guard included.
- Designed to accept 3/4" NPT pipe.
- High Output COB Cree LED's.
- High power factor, low THD driver with 10kV Surge Protection.
- High performance Thermal Management system.
- Instant-On flicker-free Cold Start and Hot Re-Start.
- Bright white light (5000°K) for greater visibility and safety.
- Up to 15 year maintenance free operation.
- 10 Year Warranty on complete fixture. (LED's, Driver, & Housing)
- **Optional:** 0-10V Dimming, Wi-Fi Control, Remote Monitoring and ON/ OFF Control

### ORDERING INFORMATION

Sample Number: LED-55450-UNV-0-10VDIM-850-PDM4-PG  
Custom options and accessories available. Please consult factory

Series	Wattage	Voltage	Drivers	Color Temp	Options
LED-55 = LED Indirect Pendant Mount	450 = 450 W 500 = 500 W 550 = 550 W 600 = 600 W	UNV = 120-277 VAC 347V = 347 VAC 480V = 480 VAC	0-10VDIM = 0-10V Dimming * Contact Factory for Dimming options	835 = 3500°K 841 = 4100°K 850 = 5000°K * * Standard	PDM4 = 4' Pendant - 3/4" NPT PDM5 = 5' Pendant - 3/4" NPT PDM6 = 6' Pendant - 3/4" NPT (other lengths available PDM 8= 8' Pendant) PG = Nema Plug (verify plug type when ordering)



\*\*PATENT PENDING\*\*

lightinnovations@work™

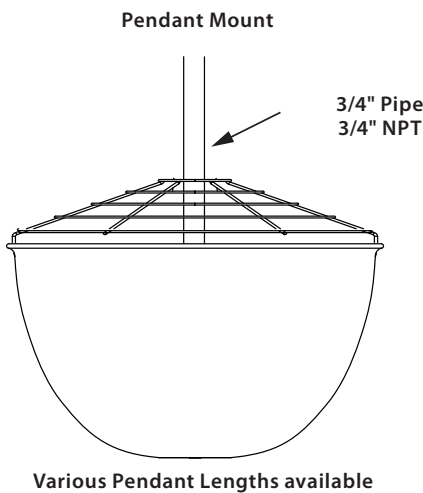
### PRODUCT INFORMATION

Model No.	Description	Rated Watts	Input Watts	Initial Lumens	Universal Line Voltage (VAC)	Max Line Current (Amp) @ 120 - 277	THD	Power Factor	Weight
LED-55450-UNV	Indirect Pendant Mount	450	455	42,750	120-277	3.93 - 1.70	<20%	>0.90	60 lbs
LED-55500-UNV	Indirect Pendant Mount	500	505	47,500	120-277	4.37 - 1.89	<20%	>0.90	60 lbs
LED-55550-UNV	Indirect Pendant Mount	550	555	52,250	120-277	4.81 - 2.08	<20%	>0.90	60 lbs
LED-55600-UNV	Indirect Pendant Mount	600	655	57,000	120-277	5.52 - 2.27	<20%	>0.90	60 lbs

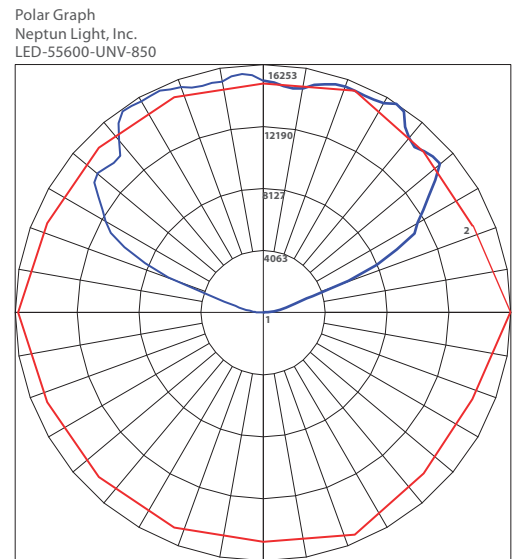
### SPECIFICATIONS

- Driver ..... Constant Current
- Start Method ..... InstantON
- Hot Re-start ..... InstantON
- Power Supply ..... 350mA
- Driver UL Rating ..... Class 1
- Driver UL Outdoor Rated ..... Wet Location
- Sound Rating ..... Class A
- ANSI Surge Protection ..... IEEE C62.41 C High
- Driver Off-State Draw ..... 0 Watts
- Universal Input Line Voltage ..... 120-277 VAC
- Input Line Frequency ..... 50/60 Hz
- LED / Driver System Life ..... 75,000 Hrs.
- Lumen Maintenance @50,000Hrs ..... > 70%
- Color Temperature ..... 5,000°K
- Color Rendering Index (CRI) ..... > 80
- Beam Angle ..... 60°
- Minimum Starting Temperature ..... -40°C
- Maximum Starting Temperature ..... +50°C
- Lumens per Watt ..... > 90
- Shock / Vibration Resistant ..... Yes
- Power Factor ..... > 0.90
- Total Harmonic Distortion ..... < 20%
- Inrush Current Peak ..... < 10 Amp
- FCC Compliance ..... Part 15, Subp. C
- Housing IP Rating ..... IP43
- Optics IP Rating ..... IP68
- Driver IP Rating ..... IP67
- Warranty ..... 10 Year

### MOUNTING OPTIONS



### PHOTOMETRICS (See Complete IES File)



Maximum Candela = 16253.443  
 Located At Horizontal Angle = 0, Vertical Angle = 147.5  
 #1 - Vertical Plane Through Horizontal Angles (0-180) (Through Max. Cd.)  
 #2 - Horizontal Cone Through Vertical Angle (147.5) (Through Max. Cd.)

Neptun Light, Inc.  
 13950 Business Center Drive  
 Lake Forest, IL 60045  
 Fax: 847.735.8004

Neptun Light, Inc. reserves the right to change materials or modify the design of its product without notification as part of the company's continuing product improvement program.  
 ©2002-2013 Neptun Light, Inc. All rights reserved.

Spec. Rev. 1-2015