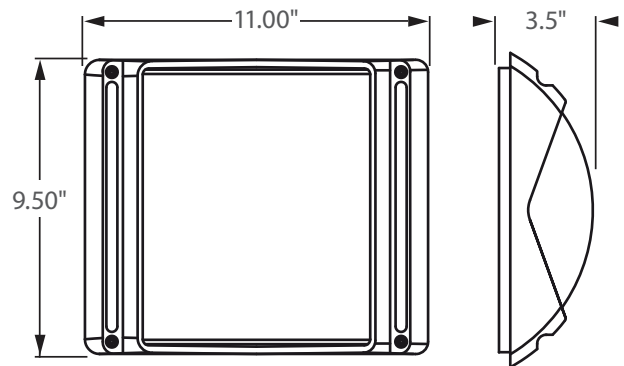




\*\* AVAILABLE \*\*

0 - 10V  
FULL DIMMING



Incredible **75,000 hrs**

### GENERAL DESCRIPTION

Neptun's LED bulk head fixtures feature architectural design and durability to fit new construction and retrofit applications. The LED-71 series feature high output LED's and custom engineered optics to provide excellent uniformity and efficiency. They can replace existing HID & HPS fixtures up to 70W.

### APPLICATION

- Building Accent Lighting
- Landscape Lighting
- Security Lighting
- Area Lighting
- Stairwell Lighting
- Passageway Lighting

### STRUCTURE, MATERIALS, & FEATURES

- Die-cast aluminum housing.
- High efficiency, heat and impact resistant, UV protected, non yellowing polycarbonate lens / refractor.
- Corrosion resistant electrocoat bronze finish (custom colors available).
- Continuous silicone gasketing surrounds lens for weather - tight seal.
- Correlated Color Temperature of (5000°K) for greater visibility and safety.
- High Output COB LED's.
- High power factor, low THD driver with 10kV surge Protection.
- InstantON flicker-free Cold Start and Hot Re-Start.
- Up to 15 years Maintenance free operation.
- 5 Year Warranty on complete fixture. (LED's, Driver, & Housing)
- **Optional:** 0-10V Dimming, Remote Monitoring and ON/ OFF Control, DC 24V Operation - Solar Compatible

### ORDERING INFORMATION

Sample Number: LED-71020-UNV-0-10VDIM-850-BRZ  
Custom options and accessories available. Please consult factory

| Series              | Wattage    | Voltage                             | Options   | Color Temp   | Color  |
|---------------------|------------|-------------------------------------|---|--|--|
| LED-71 = Wall Mount | 020 = 20 W | UNV = 120-277 VAC<br>24VDC = 24V DC | 0-10VDIM = 0-10V Dimming<br>* Contact Factory for dimming options | 835 = 3500°K<br>841 = 4100°K<br>850 = 5000°K *<br>* Standard | BRZ = Dark Bronze <span style="display:inline-block; width:10px; height:10px; background-color:darkgray;"></span><br>* Custom Colors Available |



### PRODUCT INFORMATION

| Model No.     | Description            | Rated Watts | Input Watts | Initial Lumens | Universal Line Voltage (VAC) | Max Line Current (Amp) @ 120 - 277 | THD  | Power Factor | Weight |
|---------------|------------------------|-------------|-------------|----------------|------------------------------|------------------------------------|------|--------------|--------|
| LED-71020-UNV | LED Wall Mount Fixture | 20          | 21          | 1,600          | 120-277                      | 0.17-0.07                          | <20% | >0.90        | 3 lbs  |

### SPECIFICATIONS

- Driver ..... Constant Current
- Start Method ..... InstantON
- Hot Re-start ..... InstantON
- Power Supply ..... 350mA
- Driver UL Rating ..... Class 1
- Driver UL Outdoor Rated ..... Wet Location
- Sound Rating ..... Class A
- ANSI Surge Protection ..... IEEE C62.41 C High
- Driver Off-State Draw ..... 0 Watts
- Universal Input Line Voltage ..... 120-277 VAC
- Input Line Frequency ..... 50/60 Hz
- LED / Driver System Life ..... 75,000 Hrs.
- Lumen Maintenance @50,000Hrs ..... > 70%
- Color Temperature ..... 5,000°K
- Color Rendering Index (CRI) ..... > 80
- Minimum Starting Temperature ..... -40°C
- Maximum Starting Temperature ..... +50°C
- Lumens per Watt ..... > 75
- Shock / Vibration Resistant ..... Yes
- Power Factor ..... > 0.90
- Total Harmonic Distortion ..... < 20%
- Inrush Current Peak ..... < 10 Amp
- FCC Compliance ..... Part 15, Subp. C
- Housing IP Rating ..... IP65
- Driver IP Rating ..... IP67
- Warranty ..... 5 Year

### MOUNTING OPTIONS

Surface Mount

